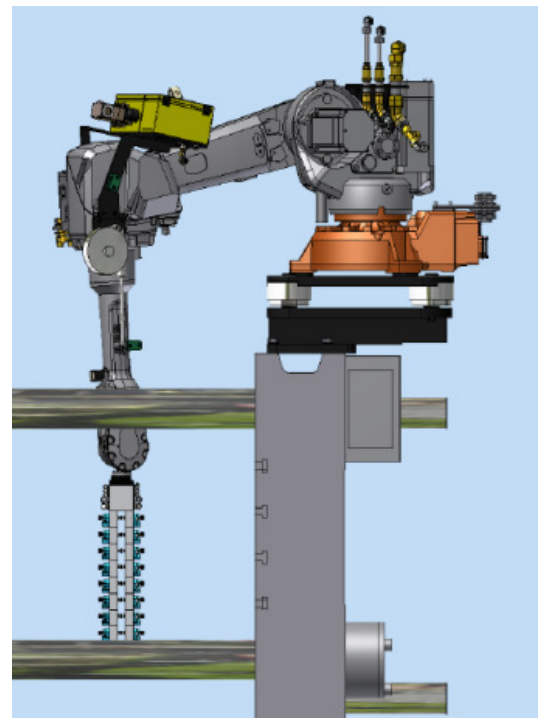


Die spray equipment DAG3000 RSFLT2

The die spray equipment DAG3000 RSFLT2 was designed for press sizes below 840t to locking force. The harsh conditions that prevail in high pressure die casting were taken in consideration for the design.

The AED SprayWare is available for standard industrial robots from different suppliers. The media lines of the SprayWare have been selected in a size to achieve the best performance to your process. The SprayWare is fully integrated into the robot system.

The SprayWare is available for Robots of ABB, Fanuc and Kuka, others on request.



Technical design

Feature	Data										
Hydropneumatic Control	Connection of all relevant media on one place. Integrated filters for air and lube. Integrated flushing by manual ball cocks. Pressure monitoring of air and lube. Proportional technic.										
Proportional technic (Pressure regulation)	Depending on the option chosen, spray and blow air as well as fluid pressure are programmable via the operating panel.										
Finish (Different painting on request)	<table border="0"> <tr> <td>SprayWare fixations</td> <td>RAL 9005 Black</td> </tr> <tr> <td>Terminal boxes</td> <td>RAL 1016 Yellow</td> </tr> <tr> <td>Hydropneumatic Control</td> <td>RAL 7035 Grey</td> </tr> <tr> <td>Baseplate with damping elements</td> <td>RAL 9005 Black</td> </tr> <tr> <td>Robot</td> <td>See Robot supplier</td> </tr> </table>	SprayWare fixations	RAL 9005 Black	Terminal boxes	RAL 1016 Yellow	Hydropneumatic Control	RAL 7035 Grey	Baseplate with damping elements	RAL 9005 Black	Robot	See Robot supplier
SprayWare fixations	RAL 9005 Black										
Terminal boxes	RAL 1016 Yellow										
Hydropneumatic Control	RAL 7035 Grey										
Baseplate with damping elements	RAL 9005 Black										
Robot	See Robot supplier										
Optional											
Baseplate with damping elements	Especially designed baseplate with damping elements to minimize vibration to the robot.										

Technical data

Feature	Data
Spraying circuits	6 spraying circuits individually programmable
Blowing circuits	2 blowing circuits individually programmable
Release agents	2
Spray tool weight	Approx. 9 kg

Technical data control unit

Feature	Data
Control	spray functions fully integrated into the robot control
Programming	Additional program instructions, implemented test functions, possibility of changing process parameters during automatic mode.

Connection data

Feature	Data
Compressed air	1 x DIN 2553 G 1" D 28, NW 25
	5 - 8 bar
Max air consumption	800 Nm ³ /h at 6 bar
Release agent connection	2 x DIN 2553 G 1/2" D15 NW13
Release agent pressure	4 - 7 bar
Max release agent consumption	3000 l/h at 6 bar